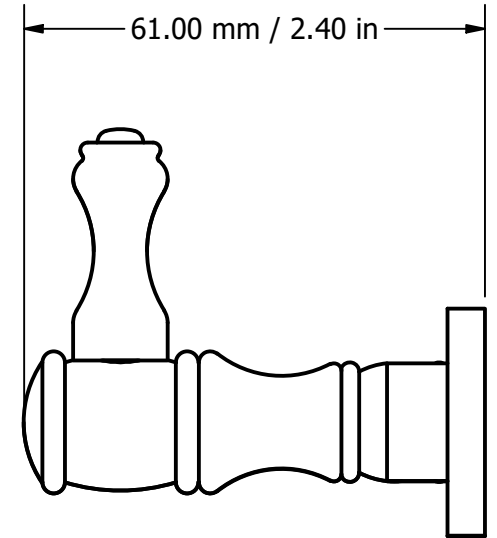
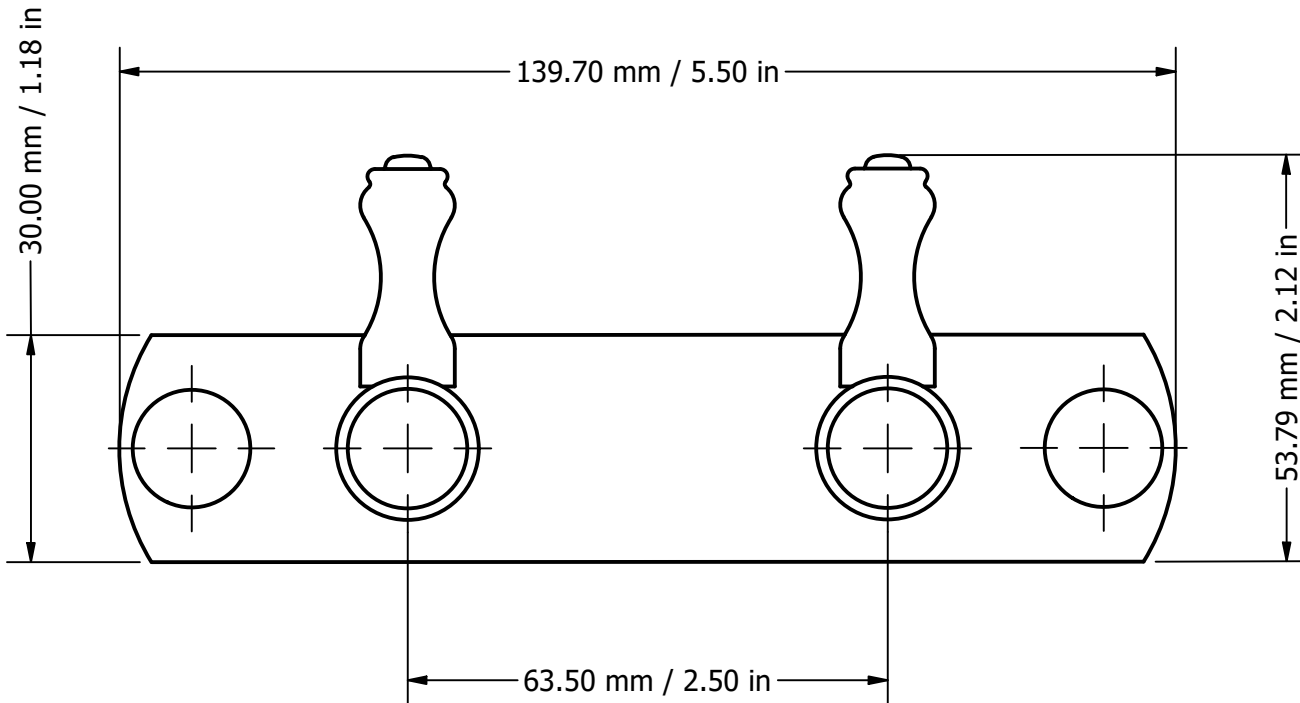


| PARTS LIST | | | |
|------------|-----|---------------|-------------|
| ITEM | QTY | PART NUMBER | DESCRIPTION |
| 1 | 1 | BPHK-5 | BACKPLATE |
| 2 | 2 | PSRD-58 | HUB |
| 3 | 2 | PLPS-1.75 | HUB |
| 4 | 2 | PGBD-1.25 Peg | PEG |
| 5 | 2 | CARD-58 | CAP |



| UNLESS OTHERWISE SPECIFIED | |
|----------------------------|----------|
| .X | ± .3mm |
| .XX | ± .15mm |
| .XXX | ± .008mm |

UNIT IS IN MM.

APPROVED FOR PRODUCTION
 By: RICHARD PAUL
 Date: 2-01-20

| | | | | | | | | | |
|------------------------|----------|------|--------------------------------|-------|-------------|-------|---------------|-----|----|
| DRAWN | 2-1-2020 | IM | MATERIAL: | BRASS | FINISH | TBD | | | |
| CHECKED | 2-1-2020 | P.D. | DESCRIPTION: | | QTY | TBD | | | |
| APPROVED | 2-1-2020 | R.A. | Carolina 2 Position Multi Hook | | DRAWING NO. | | | | |
| THIRD ANGLE PROJECTION | | | | | | | CL-20-2 | REV | |
| | | | | | SCALE | 1.5:1 | SHEET: 1 OF 1 | 0 | A4 |